



A35

3U Active Air Cooler

PRODUCT SPECIFICATIONS

Table of Contents

1. PRODUCT DESCRIPTION	2
2. THERMAL PERFORMANCE CURVE.....	4
3. DIMENSION DRAWINGS.....	5
5. RoHS CERTIFICATE.....	7

Model Number: A35

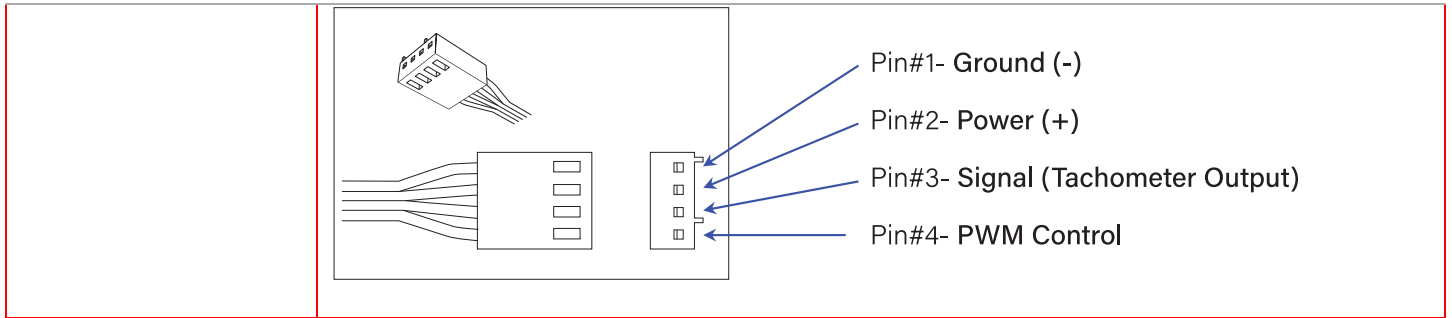
- AMD® Ryzen Threadripper Processor, Socket sTRX4 and TR4, AMD® Epyc Processor, Socket SP3
- Active side-blow cooler for 3U Server and Workstation

Overall Specification

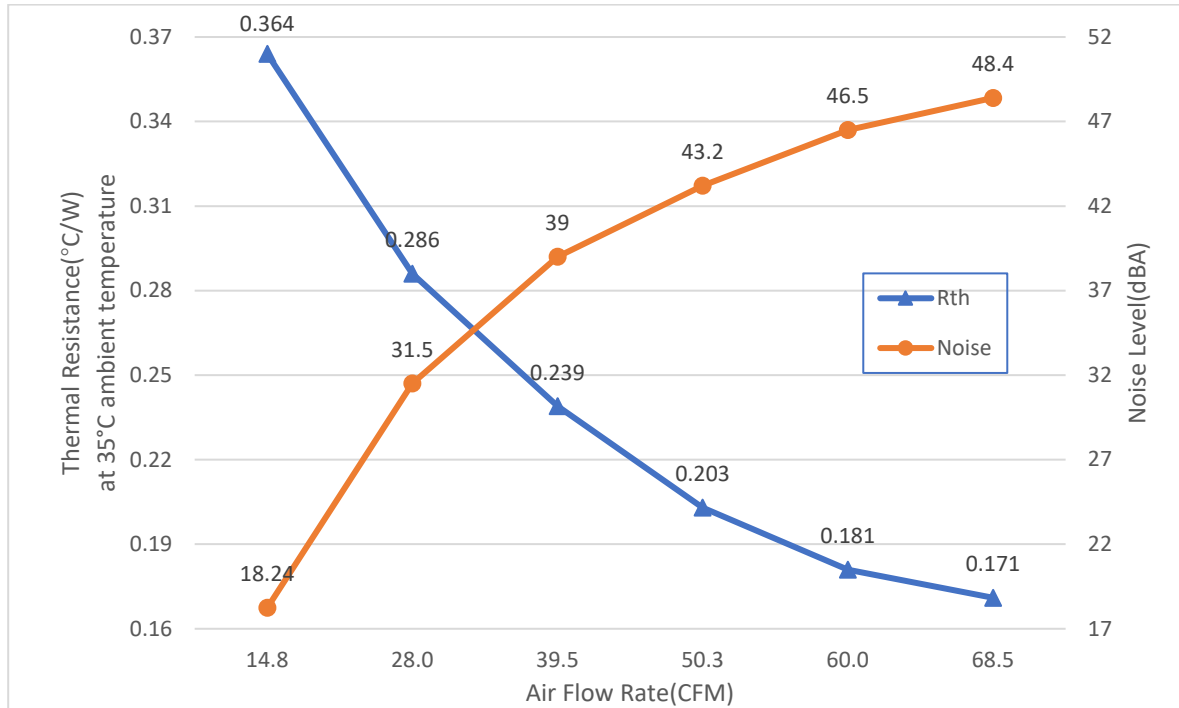
Dimension	120 x 82 x 110 mm
Weight	600 g
Material	Aluminum Heatsink with Heatpipe Embedded
Fan	8038 Axial PWM Fan for Heat Exhausting
Mounting Method	Convenient Heat Sink Screw Captive Mounting
Thermal Grease	Shin-Etsu 7762 pre-printed
TDP	Support CPU Power up to 280 Watts Heat Dissipation

Fan Specification

Model Number	DF128038BL - PWM
Dimension	80 x 80 x 38 mm
Bearing	Double Ball
Rated Voltage	12V
Rated Speed	At Duty Cycle 0~20%: 800 ± 10% RPM At Duty Cycle 50%: 1800 ± 10% RPM At Duty Cycle 100%: 3800 RPM Min.
Input Power	At Duty Cycle 0~20%: 2.2 W At Duty Cycle 50%: 3.6 W At Duty Cycle 100%: 8.2 W
Maximum Airflow	At Duty Cycle 0~20%: 13.7 CFM At Duty Cycle 50%: 30.8 CFM At Duty Cycle 100%: 68.4 CFM
Rated Static Pressure	At Duty Cycle 0~20%: 0.40 mm-H2O At Duty Cycle 50%: 2.05 mm-H2O At Duty Cycle 100%: 10.1 mm-H2O
Acoustical Noise	At Duty Cycle 0~20%: 16.0 dBA At Duty Cycle 50%: 31.1 dBA At Duty Cycle 100%: 48.4 dBA
Lead Wire Pin Out	Pin#1- Black(-) Pin#2- Yellow(+) Pin#3- Green(Tachometer/ Signal Output) Pin#4- Blue (PWM) Lead Wire Pin Out Diagram :

A35 | Socket sTRX4/TR4/ SP3

Performance Chart: Active Cooler A35 Thermal Resistance Cooling Performance vs. Airflow



CONFIDENTIAL DOCUMENT

THIS DRAWING CONTAINS INFORMATION PROPRIETARY TO DYNATRON CORPORATION AND DYNAEON INDUSTRIAL CO., LTD. ANY REPRODUCTION, DISCLOSURE, OR USE OF THIS DRAWING IS EXPRESSLY PROHIBITED EXCEPT AS DYNATRON CORPORATION AND DYNAEON INDUSTRIAL CO., LTD. MAY OTHERWISE AGREE TO IN WRITING.

ASSEMBLY PARTS

REV#	DESCRIPTION	CHECKER	DATE
0.0	INITIAL RELEASE	LANG	09/19/2019

WHOLE SET OF HEATSINK

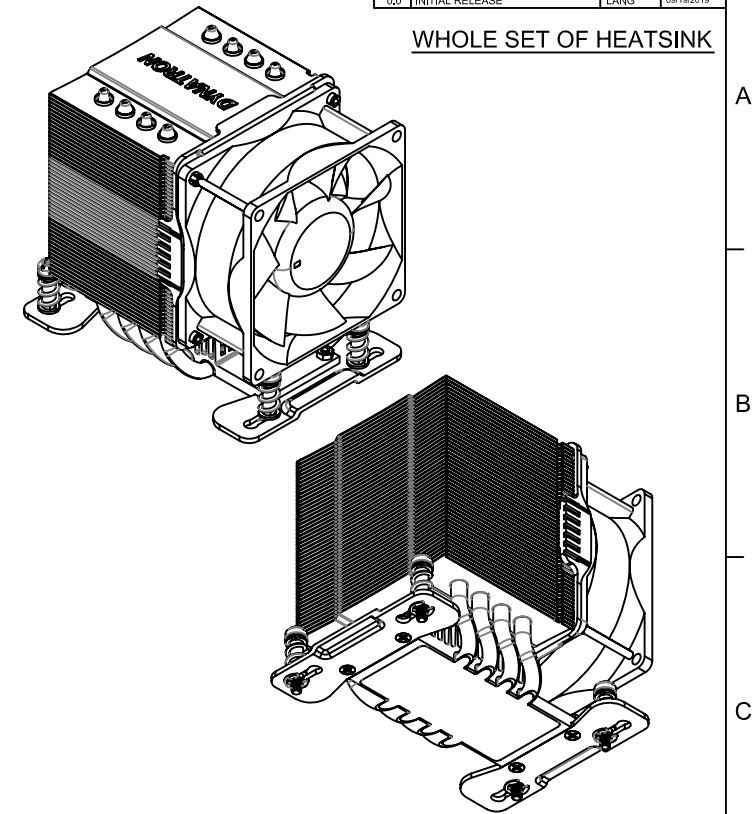
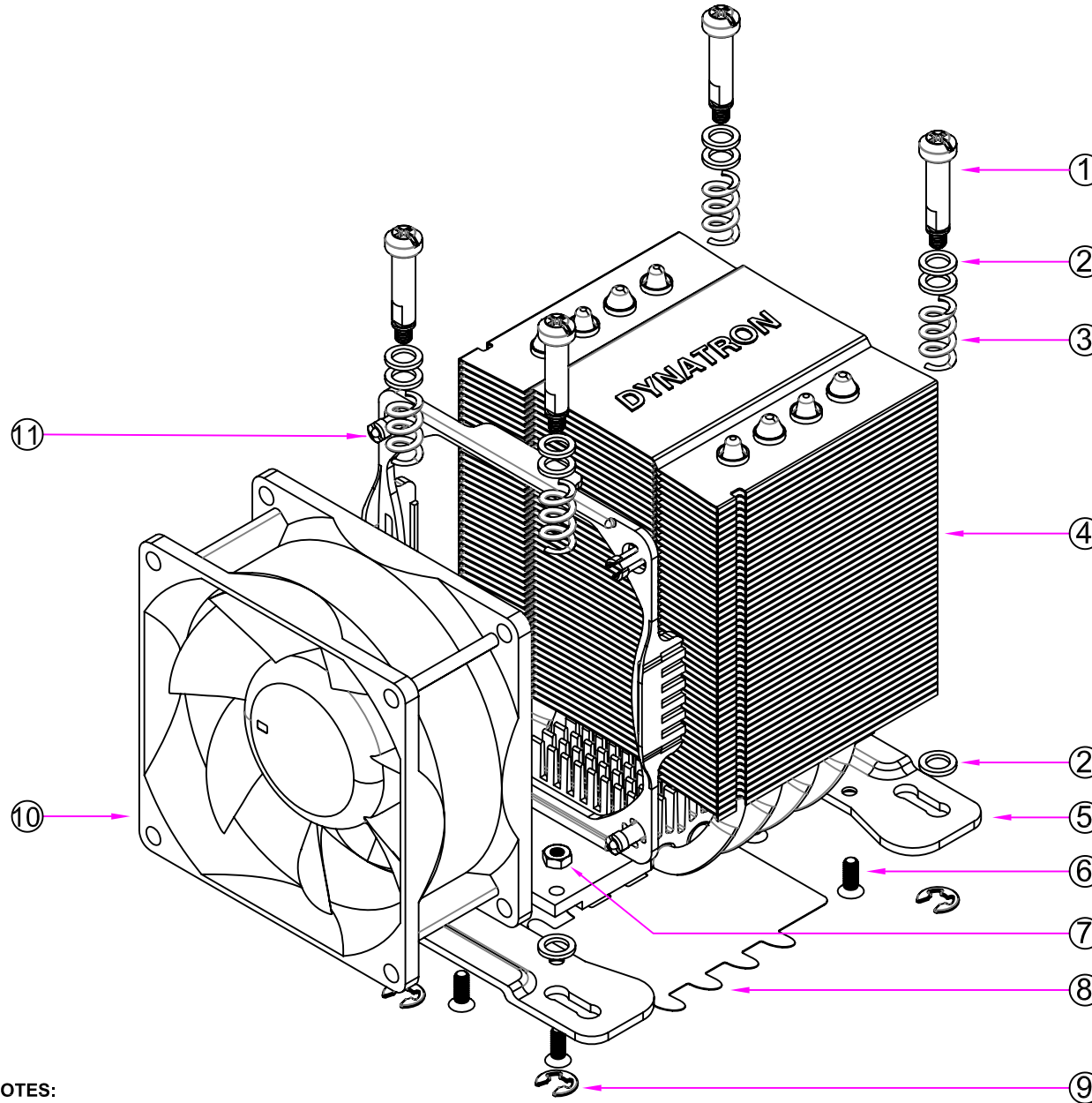
A

B

C

D

E



11	Fan Mounting Bracket	Plastic	1
10	Fan, DF128038BL-PWMG, 3800RPM	Plastic	1
9	C-Ring	Steel	4
8	Thermal Grease, Pre-printed	Shin-Etsu 7762	1
7	Nut, Bracket, M3*0.5	Steel	2
6	Screw, Bracket, M3 x 8mmL	Steel	4
5	Heatsink Bracket	SK-7	2
4	Heatsink, with Stacked Fins	(4x)Heat Pipes Aluminum Base Aluminum Stacked Fins	1
3	Spring	SWP (0850)	4
2	Washer	Steel	12
1	Screw, Heatsink Mounting (4380)	Steel	4

ITEM#	DESCRIPTION	MATERIAL	QTY.
	DATE	NAME	 3U Active Cooler A35 BOM & Exploded Assembly Drawing
	09/19/2019	Engr	
	09/19/2019	LANG	
	DWG. No:		REV
	DYN-EP-A35		0.0

NOTES:

1. THE FIGURE IS FOR REFERENCE ONLY, AND NOT FOR SCALE
2. OVERALL DIMENSION : 120 x 82 x 110 mm
3. OVERALL WEIGHT ESTIMATED : 600 g

1 2 3 4 5 6 7

ITEM#	DESCRIPTION	CHECKER	DATE
0.0	INITIAL RELEASE	LANG	09/19/19

A

B

C

D

E

F

G

H

A

B

C

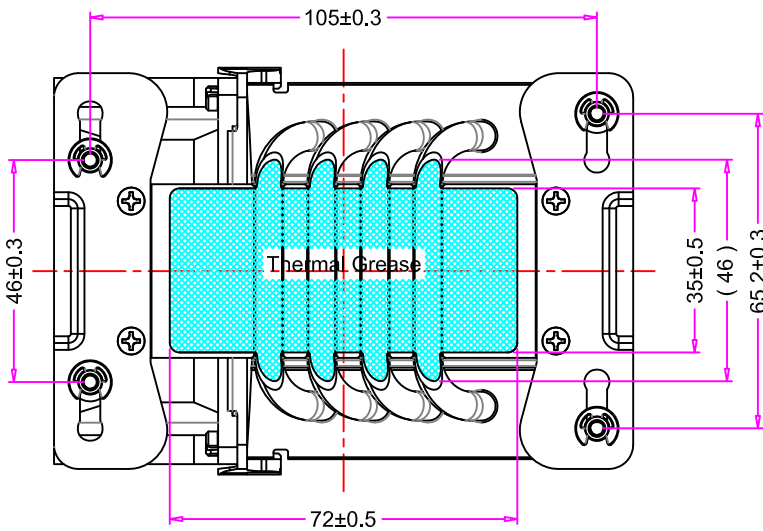
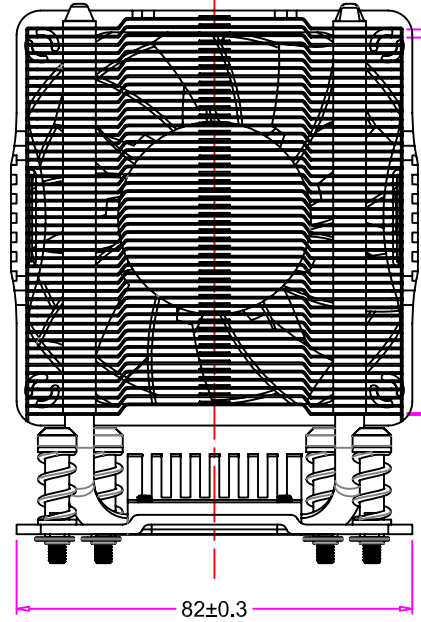
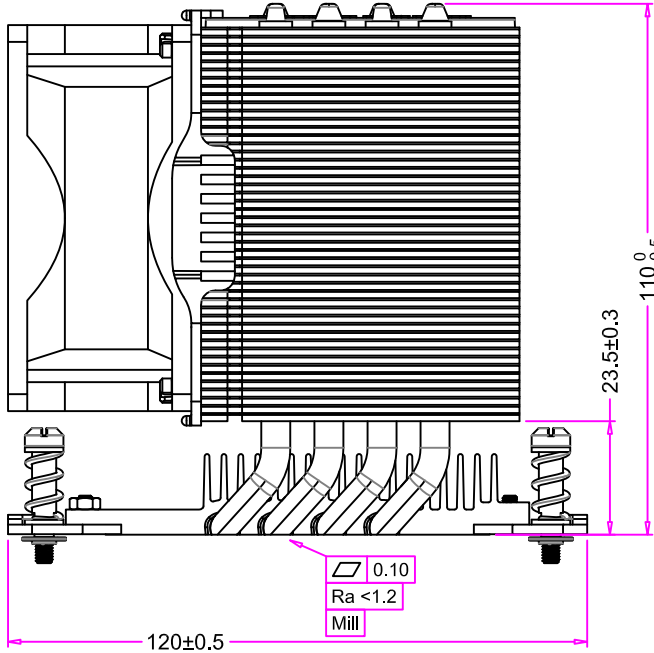
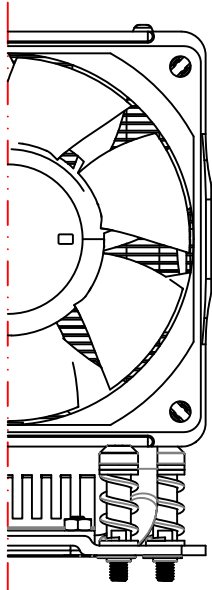
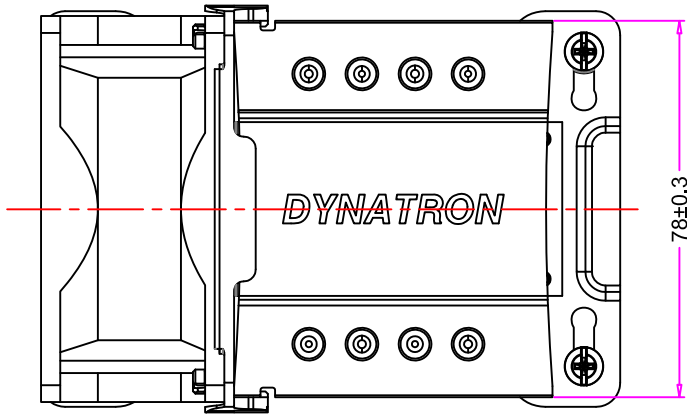
D

E

F

G

H



	NAME	DATE
DRAWN BY	enr	09/19/2019
CHECKED BY	LANG	09/19/2019
ENG. APPROVED		
MFG. APPROVED	-	-



DYNATRON CORPORATION

TOP MOTOR

TITLE: 3U Active Cooler **A35**
BOM & Overall Dimension Drawing

CONFIDENTIAL DOCUMENT
THIS DRAWING CONTAINS INFORMATION PROPRIETARY TO DYNATRON CORPORATION AND DYNAEON INDUSTRIAL CO., LTD. ANY REPRODUCTION, DISCLOSURE, OR USE OF THIS DRAWING IS EXPRESSLY PROHIBITED EXCEPT AS DYNATRON CORPORATION AND DYNAEON INDUSTRIAL CO., LTD. MAY OTHERWISE AGREE TO IN WRITING.

VIEW	
UNITS	MM

DWG. No: **DYN-BD-A35**

REV. **0.0**

1 2 3 4 5 6 7



Certificate of Environment Protection 環保證明書

Document Number: RH_A35-R0

Customer: 客戶名稱:	Company: _____ Address: _____ Phone Number: ____ - ____ - _____
Issue Date:	9 / 19 / 2019
Product Model Number:	A35
<p>Dynatron Corporation hereby declares and certifies that all components manufactured are RoHS compliant according to the definitions and restrictions given by the European Union's Restriction (Directive 2002/95/EC) (Decision 2011/65/EU) RoHS 2, on the restriction of the use of certain Hazardous Substances in the electrical and electronic equipment. Also, compliance to the most recent list of substances on the REACH candidate list.</p> <p>Number of substances on the Candidate List: 168 (last updated: 17/12/2015)</p> <p>No exemptions are claimed in order for the part to be compliant with the RoHS directive.</p> <p>Dynatron Corporation / 政久興業股份有限公司 證明所有產品, 零件 (包括附屬品, 包裝類) 之環境管理物質完全符合 RoHS, WEEE, 及該環保標準之規定, 並承諾遵循以上之證明。</p> <div style="text-align: right; margin-top: 20px;"> <p>Dynatron Corporation. 33200 Western Ave, Union City, CA 94587 www.Dynatron-corp.com</p> </div> <p style="margin-top: 20px;"> Title (職務): _____ ASSISTANT-MANAGER _____ </p> <p style="margin-top: 10px;"> Signature (簽字): _____ <i>Alan Lee</i> _____ </p> <p style="text-align: right; margin-top: 10px;"> Date: 9 / 19 / 2019 </p>	

